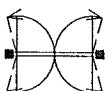
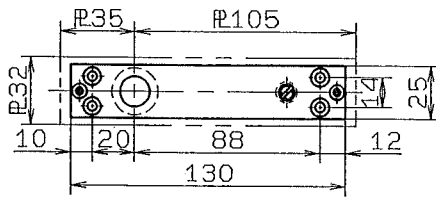


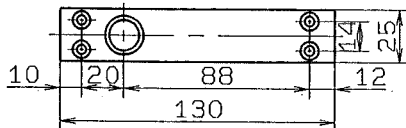
RYOBI FLOOR HINGES INSTALLATION GUIDE

OPENING SYSTEM OF DOOR	MODEL NUMBER		FITTING SIZE AND WEIGHT	
			WIDTH X HEIGHT (mm)	DOOR WEIGHT (Kg)
CENTER HUNG PAIR DOORS OPENED OF IN DOUBLE ACTION  MAXIMUM OPENING ANGLE 113° HOLD OPEN ANGLE 90°	201N	NON-HOLD	900X2100	80
	S201N	90° HOLD		
	202N	NON-HOLD	950X2100	130
	S202N	90° HOLD		

Top pivot(upper frame side)

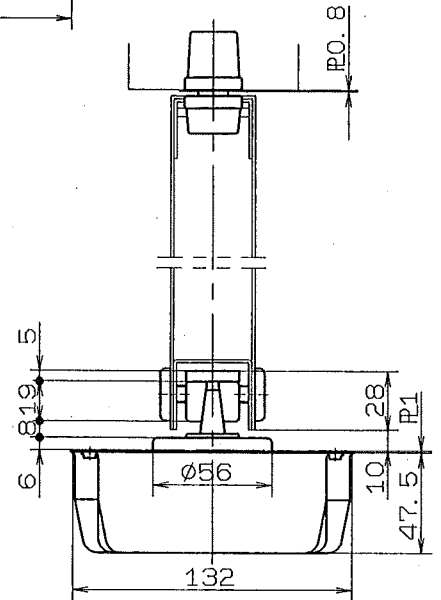
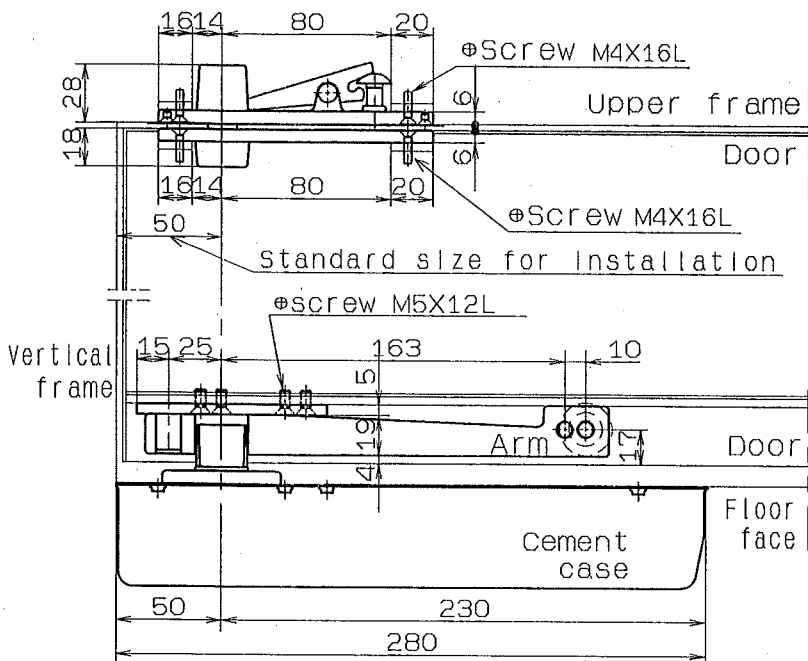
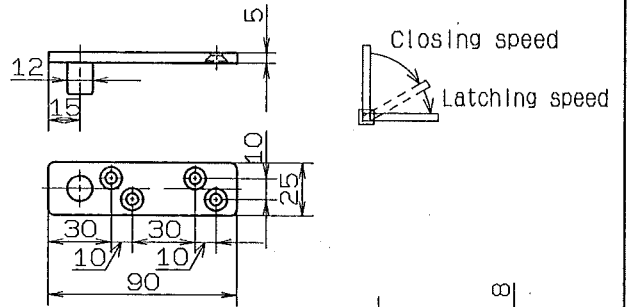


Top pivot(door side)



Notes: Dimension is indicated by m/m unit

Arm plate



ADJUSTMENT OF DOOR POSITION AND DOOR CLOSING SPEED.

Adjustment is made by taking off floor plate (backside)

1. Adjusting screws (①②③) are loosened.
2. Adjustment of space between door and vertical frame is made by adjusting screws (①③) and tightening lock-nuts of adjusting screws (①③).
3. Adjustment of closing position of door is made by adjusting screw ④
4. For further adjustment, after loosening adjusting screw ③ and its lock-nut, adjustment is made by adjusting screw ② and tightening adjusting screw ③ and its lock-nut.
5. Adjusting screw ② and its lock-nut are tightened.
6. Adjustment for both closing speed and latching speed is made by turning valves clockwise for slower speed and turning unclockwise for faster speed.

